

Technical Bulletin

Bulletin Number: 366 Revision Number: R-02

Release Date: July 19, 1988 Revision Date: September 11, 1998

SUBJECT: ARDAC USA VALIDATOR MOUNTING

MODELS AFFECTED:

- A) Coke Landscape VRV Serialized 0001-6123B and Higher.
- B) Coke Landscape Non-VRV Serialized 0001-2949DK to 0001-6123BR.
- C) Pepsi Redesigned magnum Circular 72" and 79" Venders Serialized 0001-3101AN and Higher (except 3102).
- D) Pepsi Magnum Circular 72" and 79" Venders Serialized 0001-2882AK to 0001-3101AN (includes 3102).
- E) Pepsi Magnum 72" and 79" Venders Serialized 0001-2679DH to 0001-2882AK.
- F) Dr. Pepper D3 72" and 79" Venders Serialized 0001-3007CL to 0001-6350DU.
- G) 7UP B7 72" and 79" Venders Serialized 0001-3028AM and Higher.
- H) RC Round 72" and 79" Venders Serialized 0001-3036AM and Higher.
- I) Generic Round 72" and 79" Venders Serialized 0001-3036AM and Higher.

Note: *First started installing Ardac USA Validators in production 3075CM.*

REASON: To provide information of parts needed to mount the Ardac USA Validator in Dixie-Narco venders.

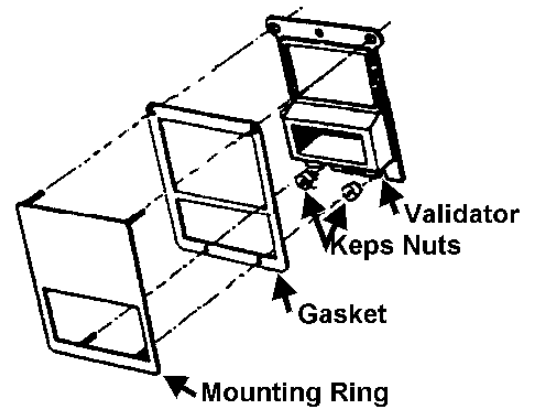
A) Coke Landscape VRV Serialized 0001-6123AR and Higher.

Parts needed:

- 1 - 572,051,05x.x3 USA Validator Mounting Ring
- 2 - 900,800,50x.x1 Keps Nut 8-32
- 1 - 902,001,12x.x1 Gasket, Validator

Note:

- 1 - 572,000,12x.x3 VRV Validator Opening Filler Plate



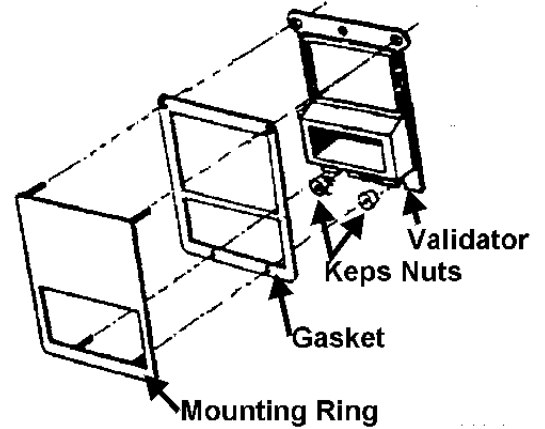
B) Coke Landscape Non-VRV Serialized 0001-2949DK to 0001-6123BR.

Parts needed:

- 1 - 432,010,41x.x3 Validator Mounting Ring
- 2 - 900,800,50x.x1 Keps Nut, 8-32
- 1 - 902,001,12x.x1 Gasket, Validator

Note:

- 1 - 432,050,21x.x3 Coke VRV Validator Opening Filler Plate



C) Pepsi Redesigned magnum Circular 72" and 79" Venders Serialized 0001-3101AN and Higher (except 3102).

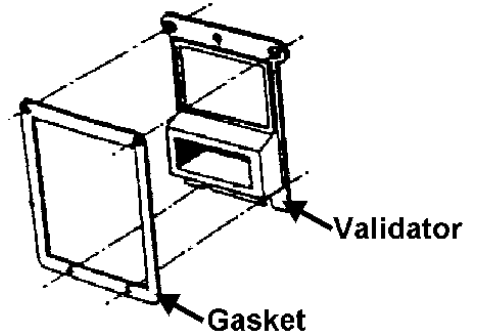
Note: Upper validator opening excluded beginning serial number 0001-3114BN.

Parts needed:

- No Mounting Ring Needed.
- 1 - 902,001,11x.x1 Gasket, Validator

Note:

- 1 - 360,050,72x.x3 Validator Opening Filler Plate



D) Pepsi Magnum Circular 72" and 79" Venders Serialized 0001-2882AK to 0001-3101AN (includes 3102).

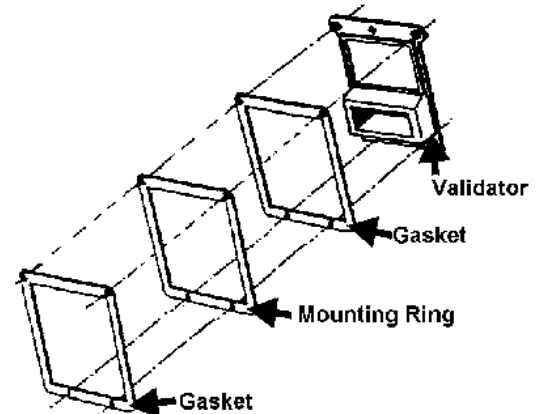
E) Pepsi Magnum 72" and 79" Venders Serialized 0001-2679DH to 0001-2882AK.

Parts needed:

- 1 - 432,010,39x.x3 Validator Mounting Ring
- 2 - 902,001,11x.x1 Gasket, Validator

Note:

- 1 - 360,050,72x.x3 Validator Opening Filler Plate



F) Dr. Pepper D3 72" and 79" Venders Serialized 0001-3007CL to 0001-6350DU.

G) 7UP B7 72" and 79" Venders Serialized 0001-3028AM and Higher.

H) RC Round 72" and 79" Venders Serialized 0001-3036AM and Higher.

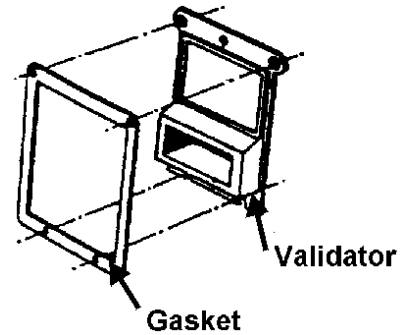
I) Generic Round 72" and 79" Venders Serialized 0001-3036AM and Higher.

Parts needed:

1 - 902,001,11x.x1 Gasket Validator

Note:

1 - 360,050,72x.x3 Validator Opening Filler Plate



Validator Cover Plates Available:

For B7: 1 - 455,010,05x.x3 B7 Validator Cover Plate
2 - 900,301,50x.x1 Screw, Phil Pan #8-18x½

For D3: 1 - 453,010,15x.x3 D3 Validator Shield
7 - 900,301,50x.x1 Screw, Phil Pan #8-18x½

Dollar Labels Available:

Coke Landscape Applications 803,827,00x.x1
Pepsi / Generic Applications 803,825,88x.x1

Filler Plate Instruction Label:

Coke Landscape 803,822,94x.x1
For available foreign languages contact the Dixie-Narco Parts Department.